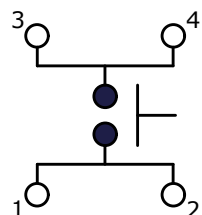
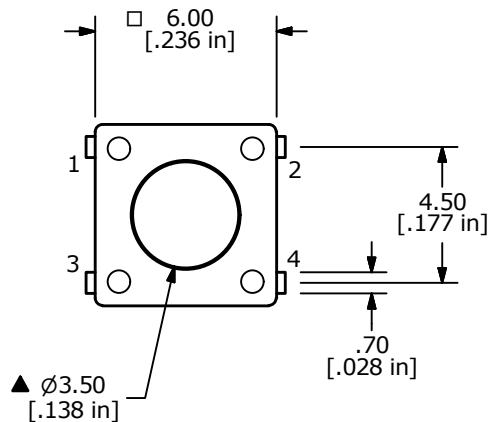


P.C.B. LAYOUT

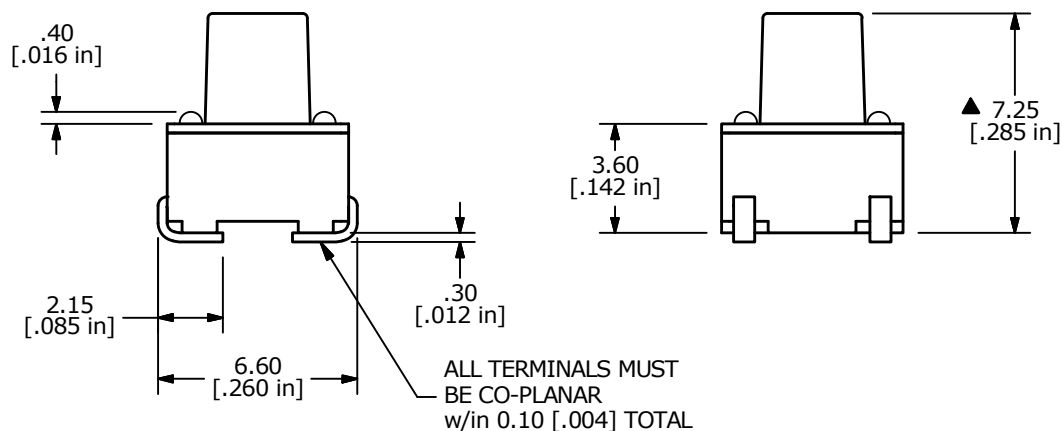


CIRCUIT: SPST



NOTES:

1. ALL DIMENSIONS IN MM
2. GENERAL TOLERANCE: X.X = ±0.4
X.XX = ±0.25
3. TERM. NUMBERS FOR REFERENCE ONLY.
4. RATING: 50mA @ 12VDC
- ▲ 5. OPERATING FORCE: 160 ±50 gms
6. TRAVEL: 0.25mm +0.2/-0.1
7. CONTACT RESISTANCE: 100 MILLI OHMS MAX. (INITIAL)
8. MECHANICAL/ELECTRICAL LIFE 100,000 CYCLES MIN.
9. CONTACT MATERIAL: SILVER
- ▲ 10. PACKAGE: TUBE, 90 PER TUBE
11. ▲ DENOTES CRITICAL PARAMETER
12. OPERATING TEMPERATURE: -40°C to 80°C



C	24070	update drawing, added 2nd description	10/22/19	MW
B	14670	REVISED AND REDRAWN	2/4/05	AR
REV	PCR NO	DESCRIPTION	DATE	BY

E-SWITCH®				
TITLE TL3301EF160QJ (TUBE PACKAGING)				
SCALE	DATE	DR	DWG	REV
4:1	6/11/2007	TN	P010549	C

THE INFORMATION CONTAINED IN THIS DOCUMENT IS PROPRIETARY TO E-SWITCH AND IS NOT TO BE COPIED OR TRANSFERRED